



CorePro Plastic LEDbulbs

CorePro LEDbulb ND 5-40W A60 E27 840

The CorePro LED bulb is the perfect bulb for your basic lighting needs. It provides beautiful light and dependable performance you expect from LED at an affordable price. CorePro LEDbulbs are compatible with existing fixtures with an E27 or B22 holder and are designed for retrofit replacement of incandescent bulbs. They deliver huge energy savings of 80% and provides excellent quality of light. By offering a lifetime of 15,000 hours it reduces maintenance costs.

Product data

General Information		LLMF At End Of Nominal Lifetime (Nom)	
Cap-Base	E27 [E27]		70 %
Nominal lifetime	15,000 hour(s)	Operating and Electrical	
Switching Cycle	50,000	Line Frequency	50 to 60 Hz
Lighting Technology	LED	Input Frequency	50 to 60 Hz
Flux measurement reference	Sphere	Power Consumption	5 W
CE mark	Yes	Lamp Current (Nom)	55 mA
EU RoHS compliant	Yes	Wattage Equivalent	40 W
Light Technical		Starting Time (Nom)	0.5 s
Color Code	840 [CCT of 4000K]	Warm-up time to 60% light	0.5 s
Beam Angle (Nom)	200 degree(s)	Power Factor (Fraction)	0.5
Luminous Flux	470 lumen	Voltage (Nom)	220-240 V
Color Designation	Cool White (CW)	Temperature	
Correlated Color Temperature (Nom)	4000 K	T-Case Maximum (Nom)	75 °C
Luminous Efficacy (rated) (Nom)	94.00 lm/W	Controls and Dimming	
Color Consistency	<6	Dimmable	No
Color rendering index (CRI)	80		

CorePro Plastic LEDbulbs

Mechanical and Housing

Bulb Finish	Frosted
Bulb Shape	A60 [A 60mm]

Approval and Application

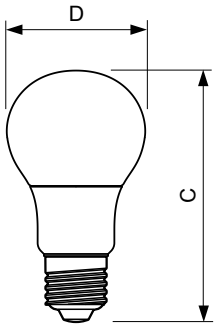
Energy Efficiency Class	F
Energy Consumption kWh/1000 h	5 kWh
EPREL Registration Number	397629
EyeComfort	Yes

Product Data

Full product code	871869657779000
-------------------	-----------------

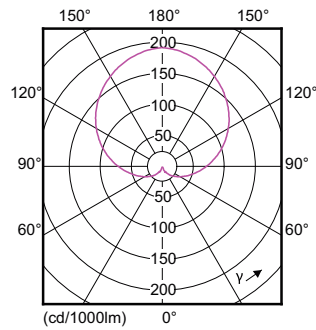
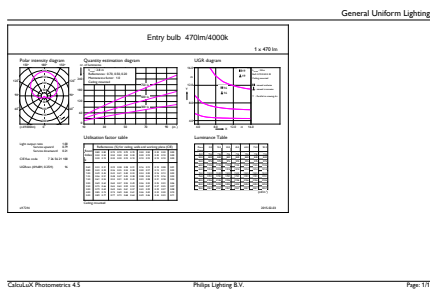
Order product name	CorePro LEDbulb ND 5-40W A60 E27 840
Order code	929001234602
Numerator - Quantity Per Pack	1
Numerator - Packs per outer box	10
Material Nr. (12NC)	929001234602
Full product name	CorePro LEDbulb ND 5-40W A60 E27 840
EAN/UPC - Case	8718696577806
EAN/UPC - Product/Case	8718696577790

Dimensional drawing



Product	D	C
CorePro LEDbulb ND 5-40W A60 E27 840	60 mm	110 mm

Photometric data

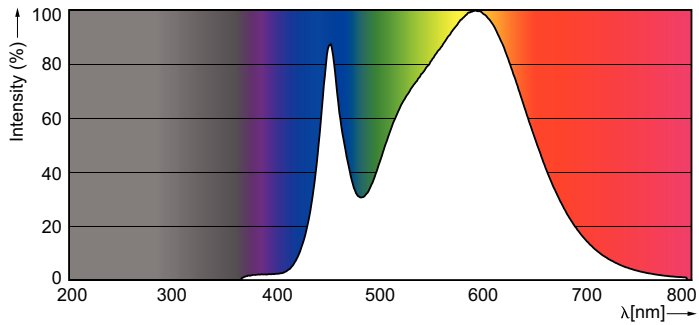


General uniform lighting - CorePro LEDbulb ND 5-40W A60 E27 840

Light Distribution Diagram - CorePro LEDbulb ND 5-40W A60 E27 840

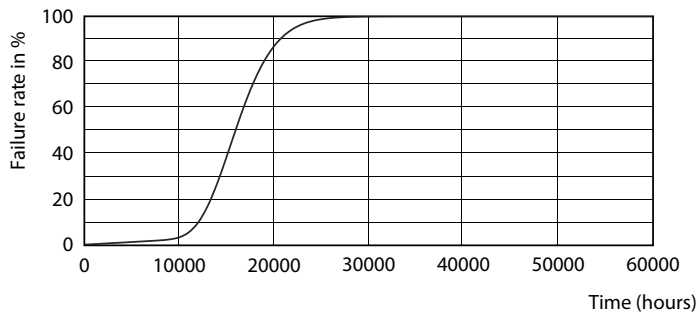
CorePro Plastic LEDbulbs

Photometric data

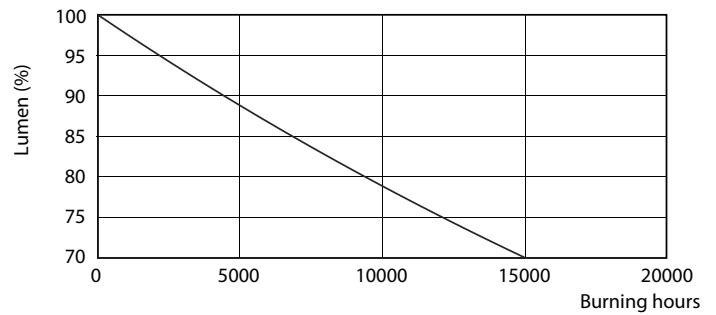


Spectral Power Distribution Colour - CorePro LEDbulb ND 5-40W A60 E27 840

Lifetime



Life Expectancy Diagram - CorePro LEDbulb ND 5-40W A60 E27 840



Lumen Maintenance Diagram - CorePro LEDbulb ND 5-40W A60 E27 840

